

ROASTER SERIES



TF-S-RP

Roaster Series Specification

Model	Meat Roasters Series	Dimensions (mm)	Packing Dimension (mm)	Burner Qty	Type of Gas	Operating Pressure	Heat Input	Fuel Pipe Connection	Fan Blower Loading	Voltage	Water Inlet	Drainage
TF-S-RD	Duck Roaster	Inner Ø800 x 1450	900 x 900 x 1550		Town Gas	14mbar	47770 BTU/Hr	ø38mm	NA	NA		ø20mm
					LPG	14mbar	47770 BTU/Hr	ø38mm				
					Natural Gas	14mbar	47770 BTU/Hr	ø38mm				
TF-S-RP	Pig Roaster	620 x 1100 x 600	750 x 1200 x 700		Town Gas	58mbar	197904 BTU/Hr	ø38mm	NA	NA		ø25mm
					LPG	65mbar	221845 BTU/Hr	ø38mm				
					Natural Gas	60mbar	204728 BTU/Hr	ø38mm				

specifications subject to changes without prior notifications

ROASTER SERIES

TF-S-RD

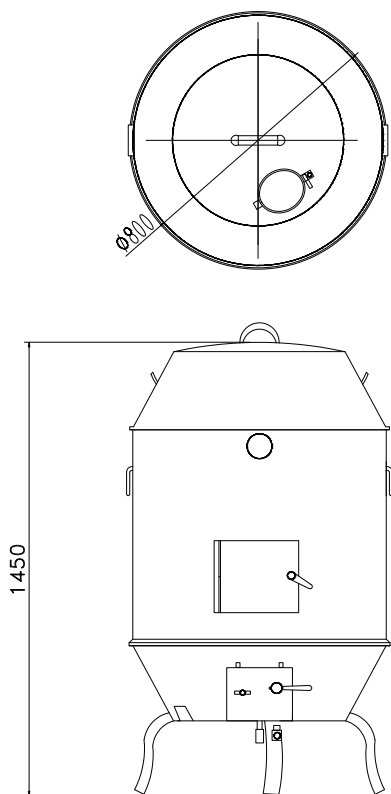


TF-S-RP



Schematic Drawings

TF-S-RD
Duck Roaster



TF-S-RP
Pig Roaster

