

# COMPACT AIR BLAST SERIES



**TF-E-AB/1W**

## Compact Air Blast Series Specification

Model	Compact Air Blast Series	Dimensions (mm)	Packing Dimension (mm)	Burner Qty	Type of Gas	Operating Pressure	Heat Input	Fuel Pipe Connection	Fan Blower Loading	Voltage	Water Inlet	Drainage
TF-E-AB/1W	Mini Airblast 1 Ring Wok Range	600 x 830 x 810+450	700 x 950 x 1000	1	Town Gas	25mbar	85300 BTU/Hr	ø38mm	0.25kw x 2	220V/50Hz/1ph	ø15mm	ø38mm
					LPG	30mbar	102360 BTU/Hr	ø38mm				
					Natural Gas	30mbar	102360 BTU/Hr	ø38mm				
TF-E-AB/2W	Mini Airblast 2 Ring Wok Range	1300 x 830 x 810+450	1400 x 930 x 1000	2	Town Gas	25mbar x 2	85300 BTU/Hr x 2	ø38mm	0.25kw x 2	220V/50Hz/1ph	ø15mm	ø38mm
					LPG	30mbar x 2	102360 BTU/Hr x 2	ø38mm				
					Natural Gas	30mbar x 2	102360 BTU/Hr x 2	ø38mm				

*specifications subject to changes without prior notifications*

# COMPACT AIR BLAST SERIES

**TF-E-AB/1W**



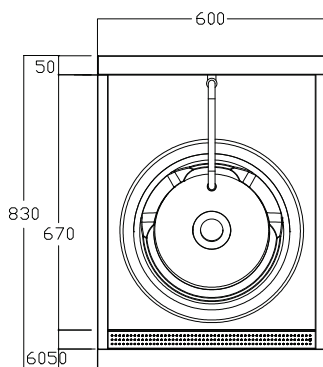
**TF-E-AB/2W**



## Schematic Drawings

**TF-E-AB/1W**

Mini Airblast 1 Ring Wok Range



**TF-E-AB/2W**

Mini Airblast 2 Ring Wok Range

